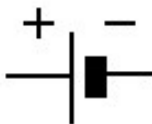


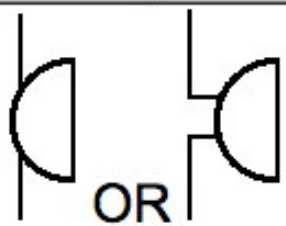
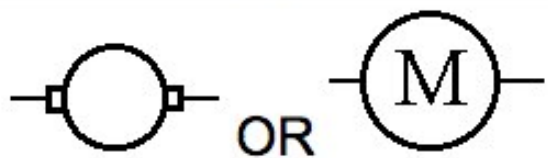
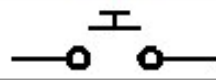

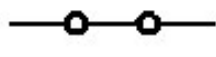

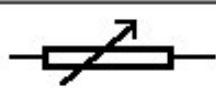


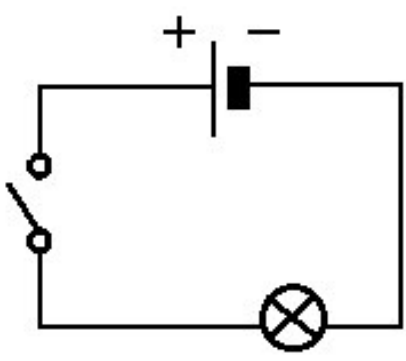
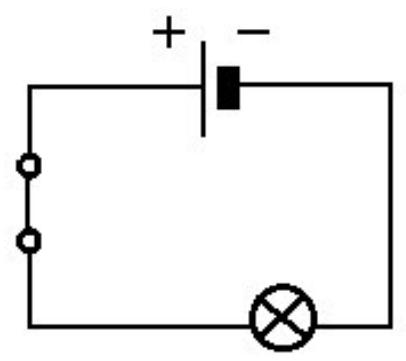
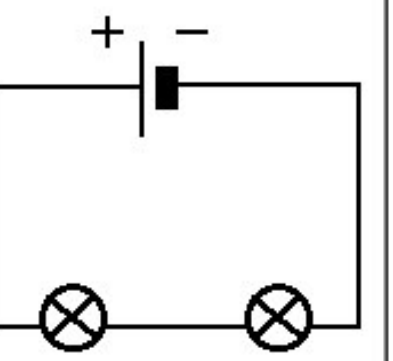
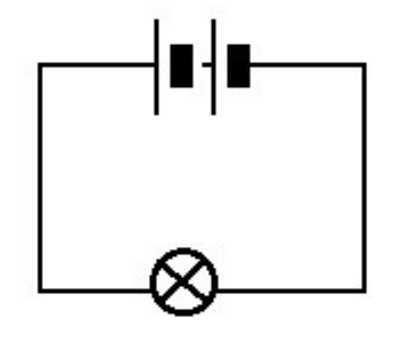
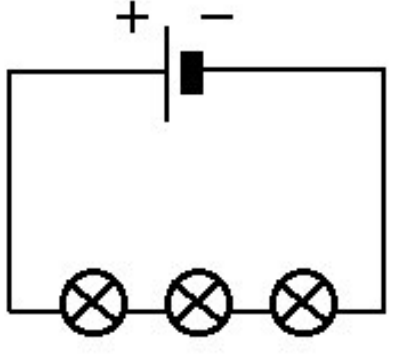
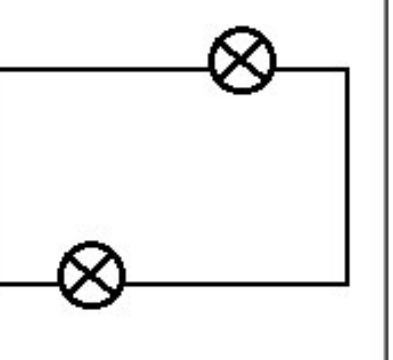
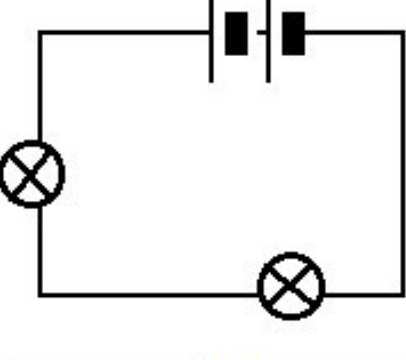
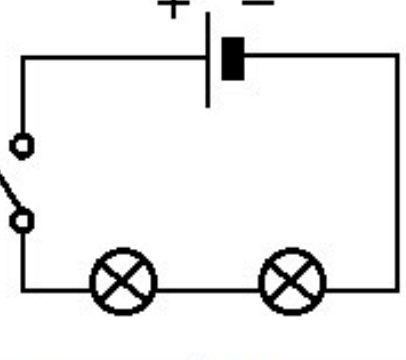
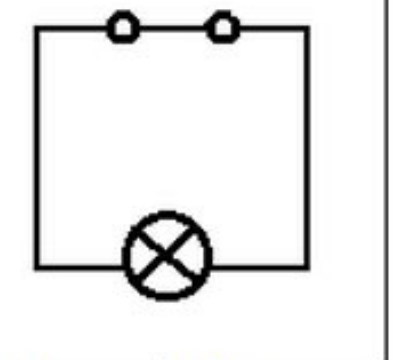


Circuit Symbols

Cell	
Battery	
Lamp	
Buzzer	
Motor	
Push Switch	
Open Switch	
Closed Switch	
Resistor	
Variable Resistor	
Wires	
Where wires join	

Will these circuits work?

- 1) Look at each circuit diagram below.
- 2) Do you think the bulb(s) will light? If you do, put a tick in BOX A under the diagram. If not, put a cross.
- 3) Now make the circuit using the equipment. Does the bulb light? If it does, put a tick in BOX B. If not, put a cross.
- 4) Repeat this for all of the circuit diagrams. Then compare your predictions (BOX A) to your results (BOX B).

					
Box A	Box B	Box A	Box B	Box A	Box B
					
Box A	Box B	Box A	Box B	Box A	Box B
					
Box A	Box B	Box A	Box B	Box A	Box B